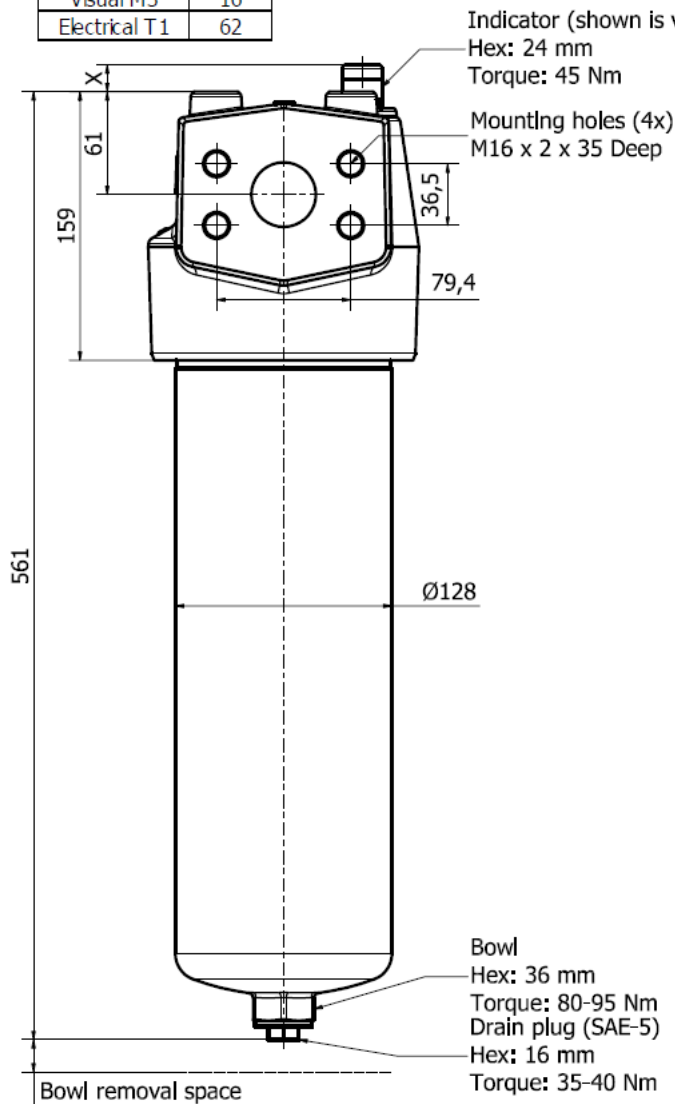
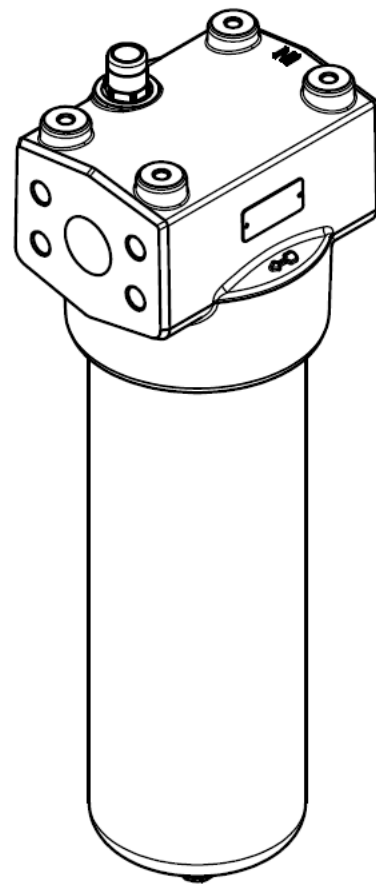


Indicator	x
Plugged	0
Visual M3	16
Electrical T1	62



Shown with  
SAE flange 1 1/2"-6000M

Bowl removal space	
Element	Value
Standard / High Strength	75
Reverse Flow	100



Dimensions in mm

**EPF5 Inline**  
Dimensional drawing

